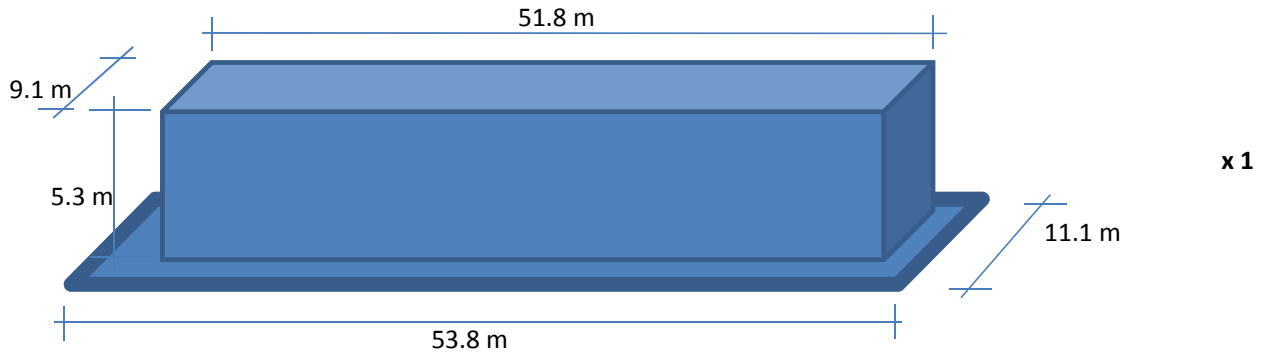


Caution : All the dimensions are interior

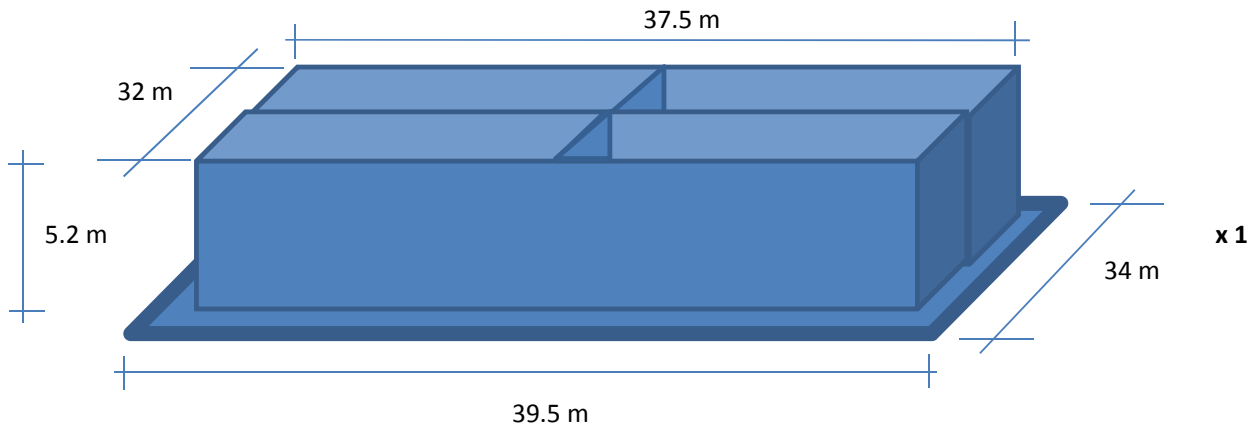
PRIMARY CLARIFIER



	Walls	Slab	
Thickness	0.45	0.6	(m)

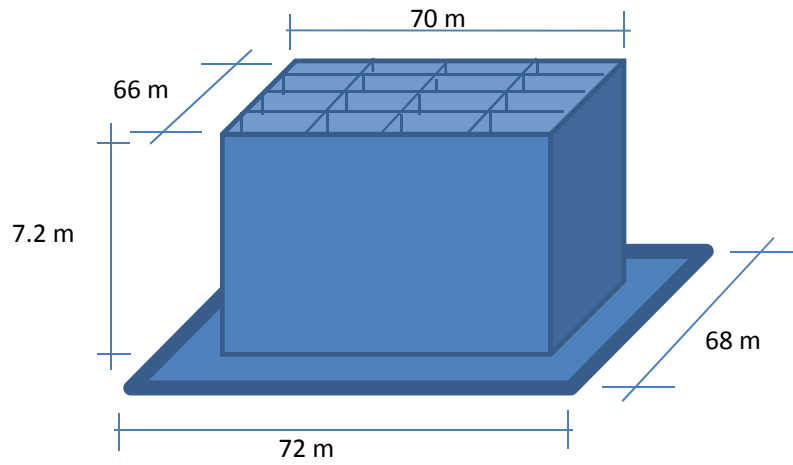
BNR - IFAS

Anaerobic and anoxic basins : existing HPO
2 new basins :



	Walls	Slab	
Thickness	0.4	0.6	(m)

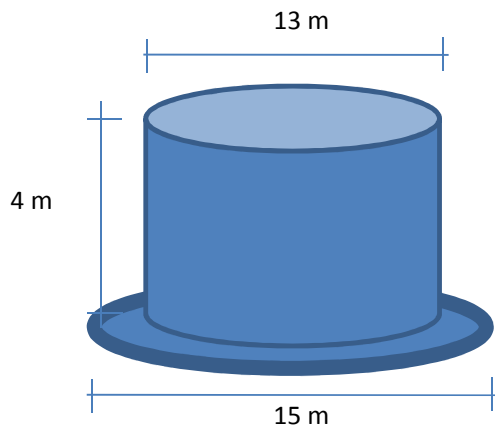
IFAS basins



x 1

	Walls	Slab	
Thickness	0.5	0.6	(m)

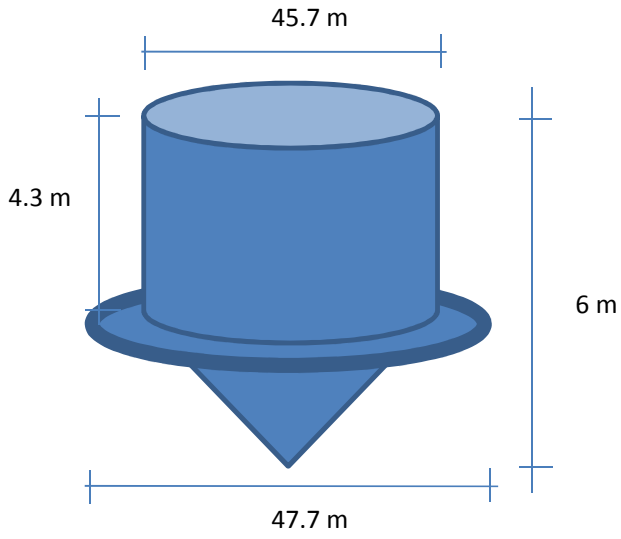
DEGAZING TANKS



x 1

	Walls	Slab	
Thickness	0.45	0.6	(m)

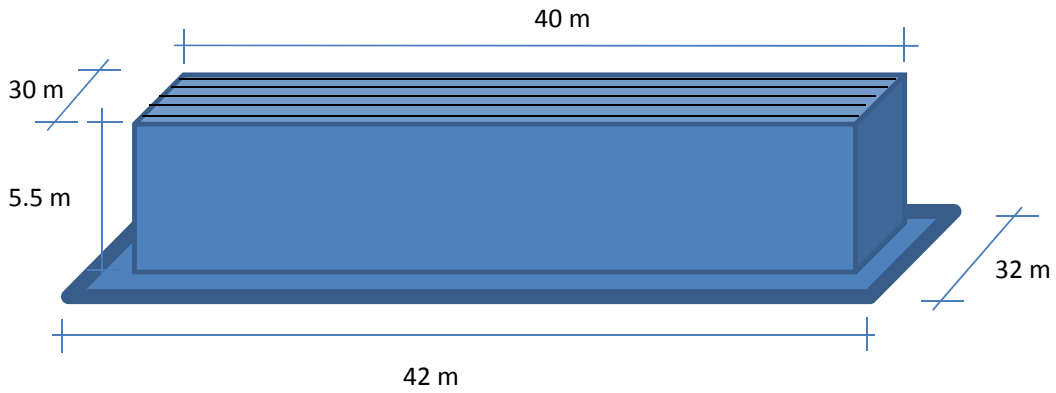
SECONDARY CLARIFIERS



x 2

	Walls	Slab	
Thickness	0.45	0.6	(m)

CHLORINATION TANK



x 1

	Walls	Slab	
Thickness	0.45	0.6	(m)